

Tanaka Illustrated Parts Manual

Model Number:

THT-2120

HEDGETRIMMER

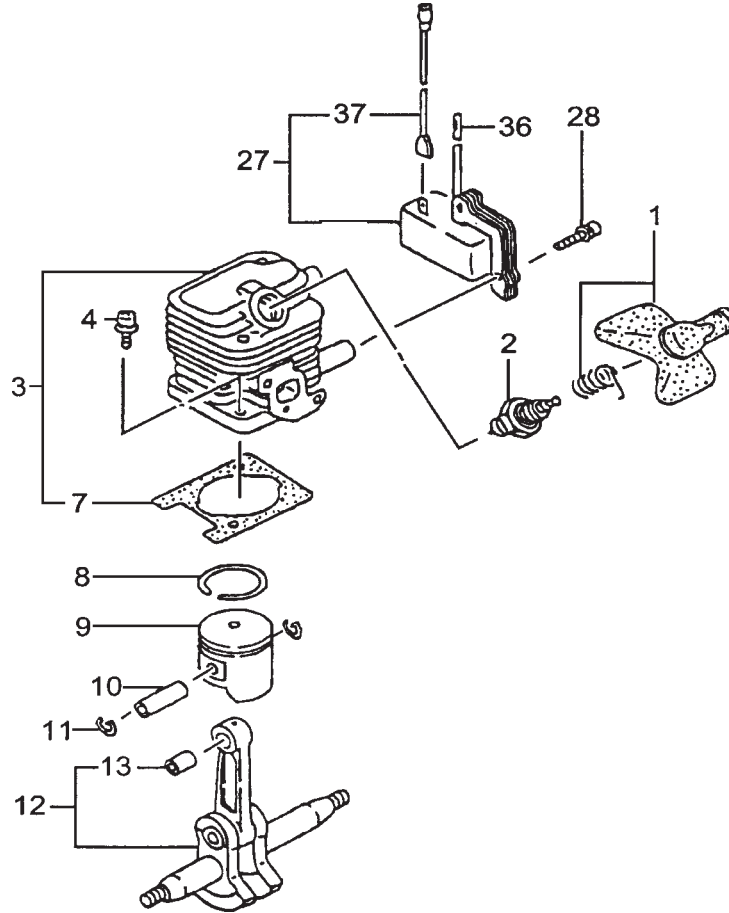
P/N 00020

Rev 002

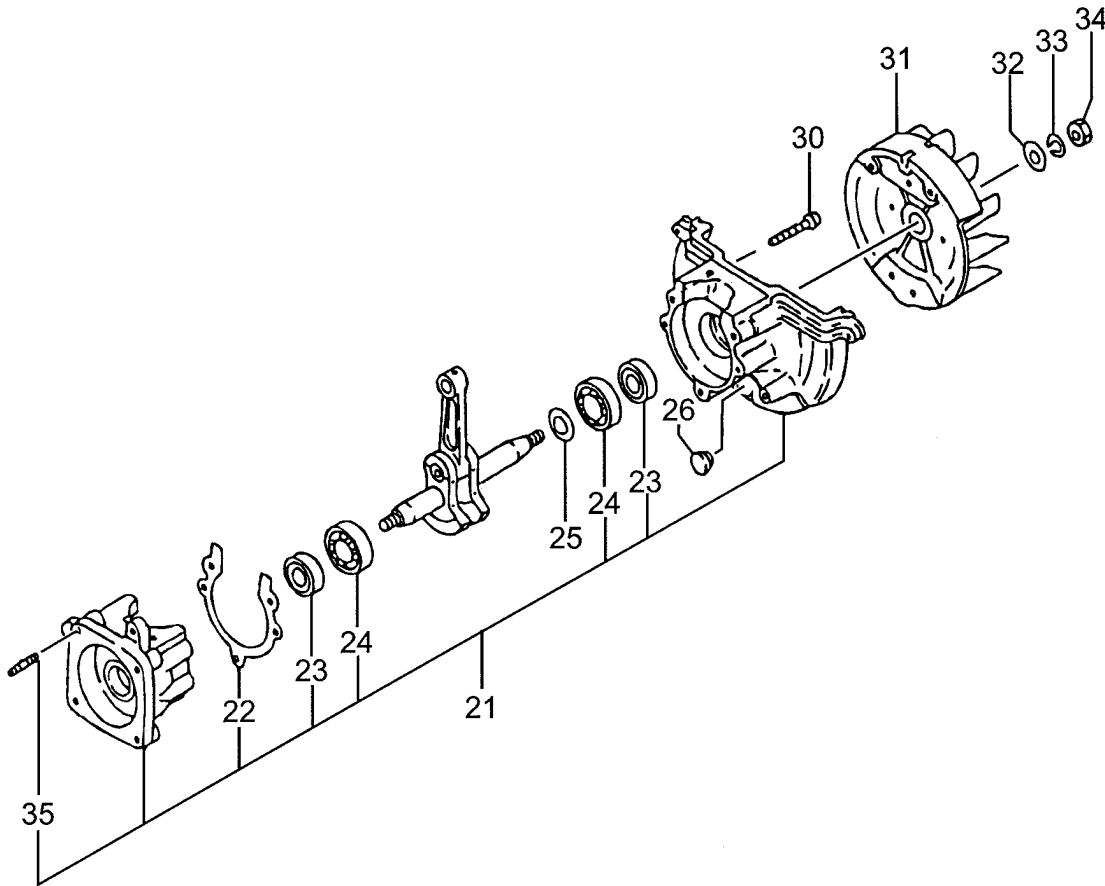
Date 10-24-07



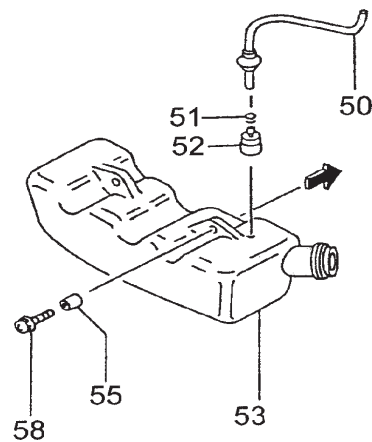
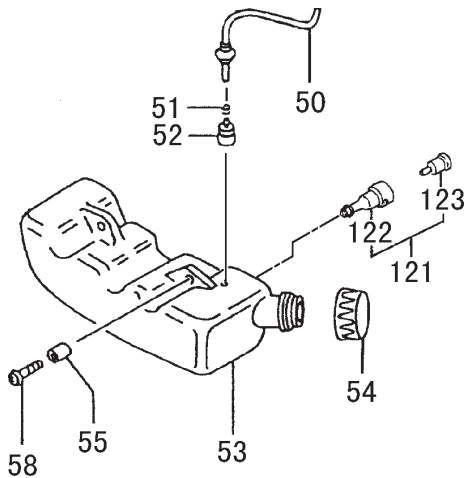
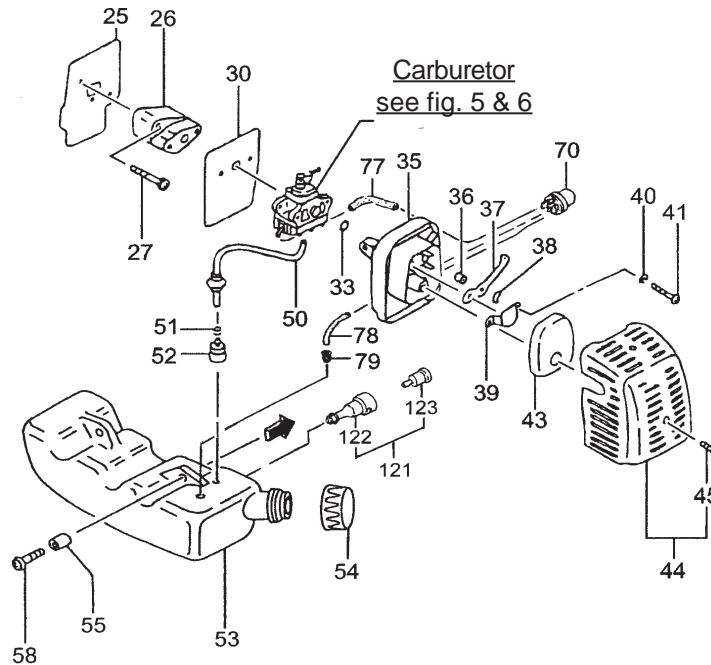
Nikko Tanaka Engineering U.S.A.,Ltd. • 1028 4th Street SW, Bldg B • Auburn, WA 98001 • Phone: (253) 333-1200 • Fax: (253) 333-1212



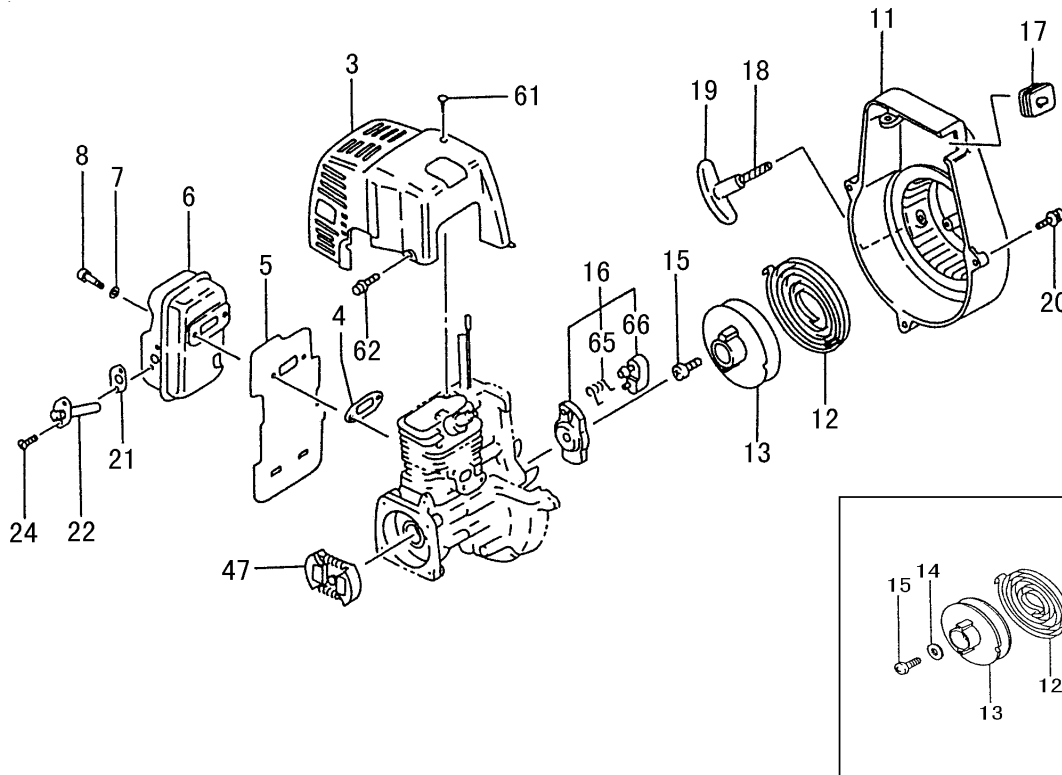
ITEM	PART NUMBER	DESCRIPTION	QTY	COMMENTS
1-1	1570650091	CAP,SPARK PLUG ASS'Y	1	
1-2	0181166021	PLUG,SPARK	1	
1-3	0010650090	SET,CYLINDER	1	Includes cylinder gasket
1-4	99416050201	SCREW,5X20/WS	2	
1-7	0170650020	GASKET,CYLINDER	1	
1-8	04100601210	RING,PISTON	1	
1-9	0300650090	PISTON	1	Includes rings and circlips
1-10	03706500200	PIN,PISTON	1	
1-11	03901620200	CIRCLIP,PISTON PIN	2	
1-12	04606500801	CRANKSHAFT	1	
1-13	99962081225	BEARING,NEEDLE,F-810	1	
1-27	1532153390	COIL,IGNITION	1	
1-28	99416040226	SCREW,WS,4X22	2	
1-36	25006500200	TUBE,INSULATOR	1	
1-37	1780650080	CORD,STOP COMPLETE	1	R107152~



ITEM	PART NUMBER	DESCRIPTION	QTY	COMMENTS
2-21	0720650090	CRANKCASE ASS'Y	1	
2-22	09006500200	GASKET, CRANKCASE	1	
2-23	99966122206	SEAL, OIL, #TC12227	2	
2-24	99961600100	BEARING, BALL, #6001	2	
2-25	33000200210	SHIM, 12.2X19X.10	1	
2-25	33000200220	SHIM, 12.2X19X.15	1	
2-25	33000200230	SHIM, 12.2X19X.20	1	
2-25	33000200240	SHIM, 12.2X19X.30	1	
2-26	59900601200	CUSHION	1	
2-30	99414050301	SCREW, 5X30/S	3	
2-31	1552152380	ROTOR, MAGNETO	1	
2-32	99201080011	WASHER, 8	1	
2-33	99210080012	WASHER, S, 8	1	
2-34	99101080011	NUT, 8	1	
2-35	10002100200	BOLT, STUD, 6X22	2	

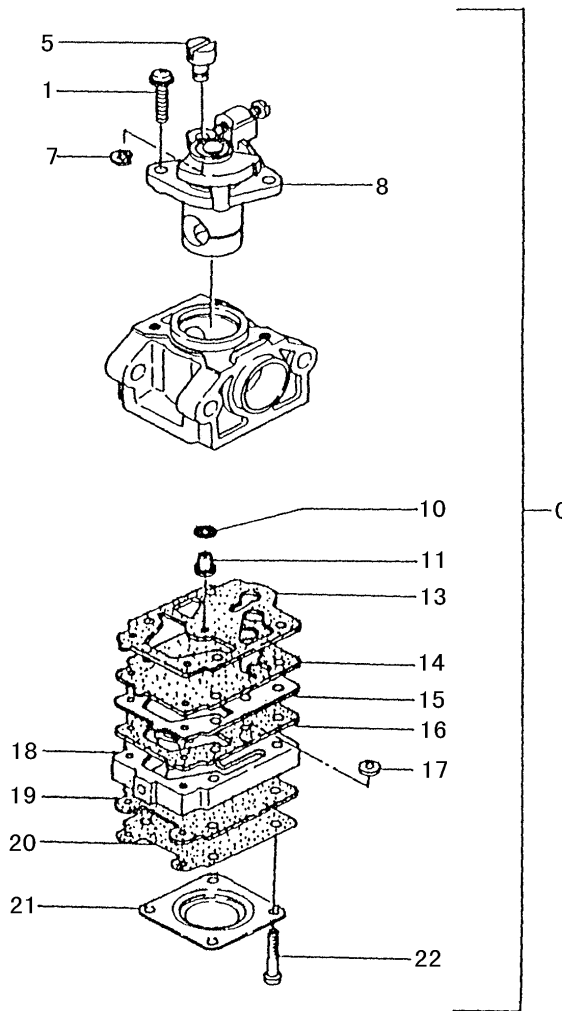


ITEM	PART NUMBER	DESCRIPTION	QTY	COMMENTS
3-25	40306500200	GASKET,INTAKE	1	Includes gasket
3-26	4040650090	SET,CARB INSULATOR	1	
3-27	99416050252	SCREW,5X25WS	2	
3-30	40206500200	GASKET,CARBURETOR	1	
3-33	99967015000	O-RING,P15	1	
3-35	4230650081	BODY,CLEANER	1	
3-36	47006500200	COLLAR	2	~R233951 R233952~
3-37	52806500200	LEVER,CHOKE	1	
3-37	5280650T20	LEVER,CHOKE	1	
3-38	99204080030	WASHER,8	1	
3-39	47601700200	BOARD,BLOW OVER CHECK	1	
3-40	99210050012	WASHER,S,5	2	
3-41	99011050602	SCREW,5X60	2	~R107151 R107152~
3-43	4460650020	ELEMENT,CLEANER	1	
3-44	4520650091	COVER,CLEANER,W/BOLT	1	
3-45	3800637C200	BOLT,CLEANER COVER	1	
3-50	70053005130	PIPE,FUEL	1	
3-50	2230650090	PIPE,FUEL,ASS'Y	1	
3-51	68000731201	CLIP 6.3	1	~T218560 One hole ~U217438 Two hole U217439~ Three hole ~T218560
3-52	6750404280	FILTER,FUEL	1	
3-53	5910650000	TANK,FUEL	1	
3-53	5910661321	TANK,FUEL	1	
3-53	5910651A21	TANK,FUEL	1	
3-54	5950650A90	CAP,TANK	1	
3-54	5950656B90	CAP,FUEL BLACK,NON VENT	1	T218561~
3-55	65900801200	COLLAR	2	U217439~ U217439~ U217439~ U217439~ U217439~ U217439~
3-58	99463050185	BOLT,HEX 5X18PS	2	
3-70	44225143800	PUMP,PRIMING ASS'Y	1	
3-77	7000250408	PIPE,FUEL,2.5x4x80	1	
3-78	7000250406	PIPE,FUEL,2.5X4X65	1	
3-79	53432710200	GROMMET,FUEL PIPE	1	
3-121	5640661190	VENT,AIR ASS'Y	1	U217439~ U217439~ U217439~
3-122	5650441020	PIPE,AIR VENT	1	
3-123	6460661290	VALVE	1	

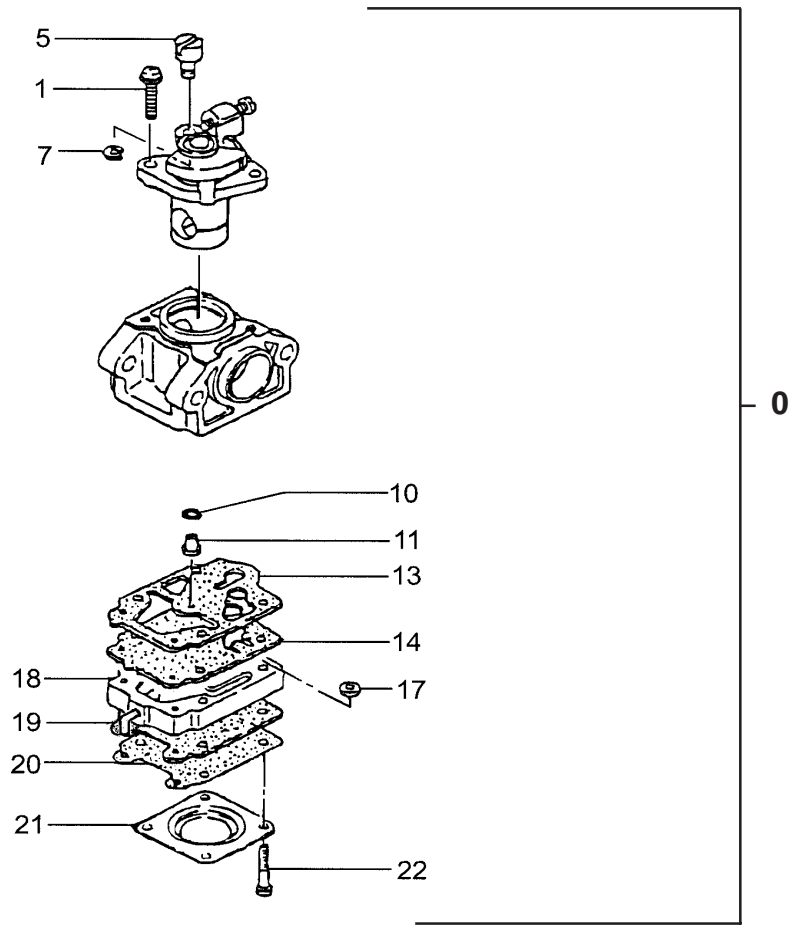


Recoil Starter Assy
Use #762.06500.90
Includes items #11-#19

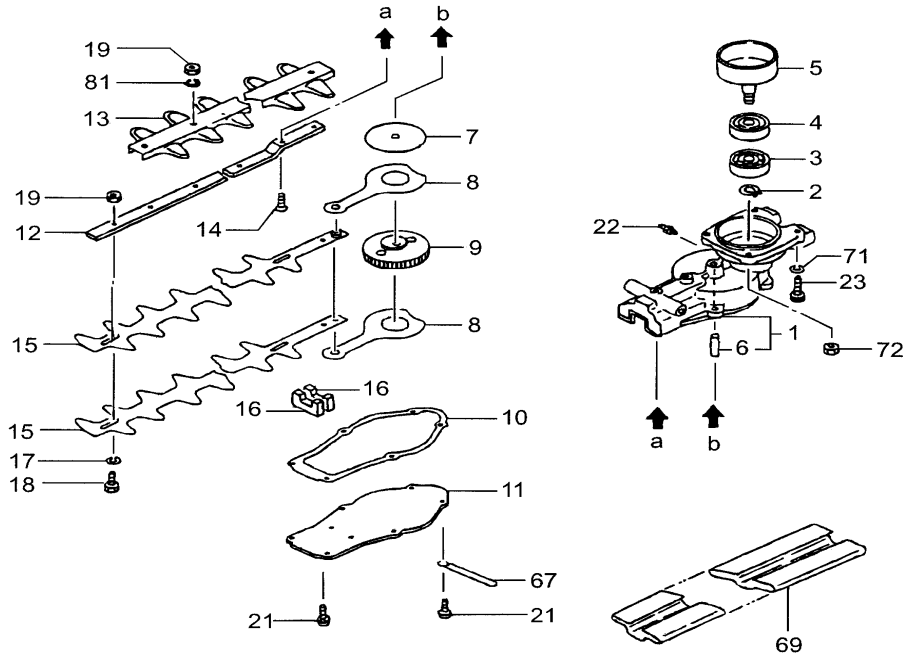
ITEM	PART NUMBER	DESCRIPTION	QTY	COMMENTS
4-3	7380650020	PROTECTOR,MUFFLER	1	
4-4	73706500200	GASKET,MUFFLER	1	
4-5	13306500200	SHIELD,HEAT	1	
4-6	70606500800	MUFFLER	1	
4-7	99201050011	WASHER,5	2	
4-8	99051050503	BOLT,HEX,5X50	2	
4-11	1120650080	CASE,FAN	1	
4-12	78006097200	SPRING,RECOIL	1	
4-13	77406097200	PULLEY,STARTER	1	
4-14	80106091200	WASHER,ROPE REEL	1	~Q005150
4-15	8390201020	SCREW,SET	1	
4-16	79806500900	PULLEY,STARTER,ASS'Y	1	
4-17	2030604A202	GROMMET	1	
4-18	78306097200	ROPE,STARTER	1	
4-19	78506410200	HANDLE,STARTER	1	
4-20	99415040162	SCREW,PS,4X16	3	
4-21	75106500200	GASKET,MUFFLER	1	
4-22	7210650090	PIPE,TAIL	1	
4-24	99434040081	SCREW,4X8/S	2	
4-47	2770634F900	CLUTCH,ASS'Y	1	
4-61	99072045164	SCREW,TAPPING,4.5X16	1	
4-62	99425040128	BOLT,PS,4X12	2	
4-65	79006097200	SPRING,STARTER PAWL	1	
4-66	7880650020	PAWL,STARTER	1	



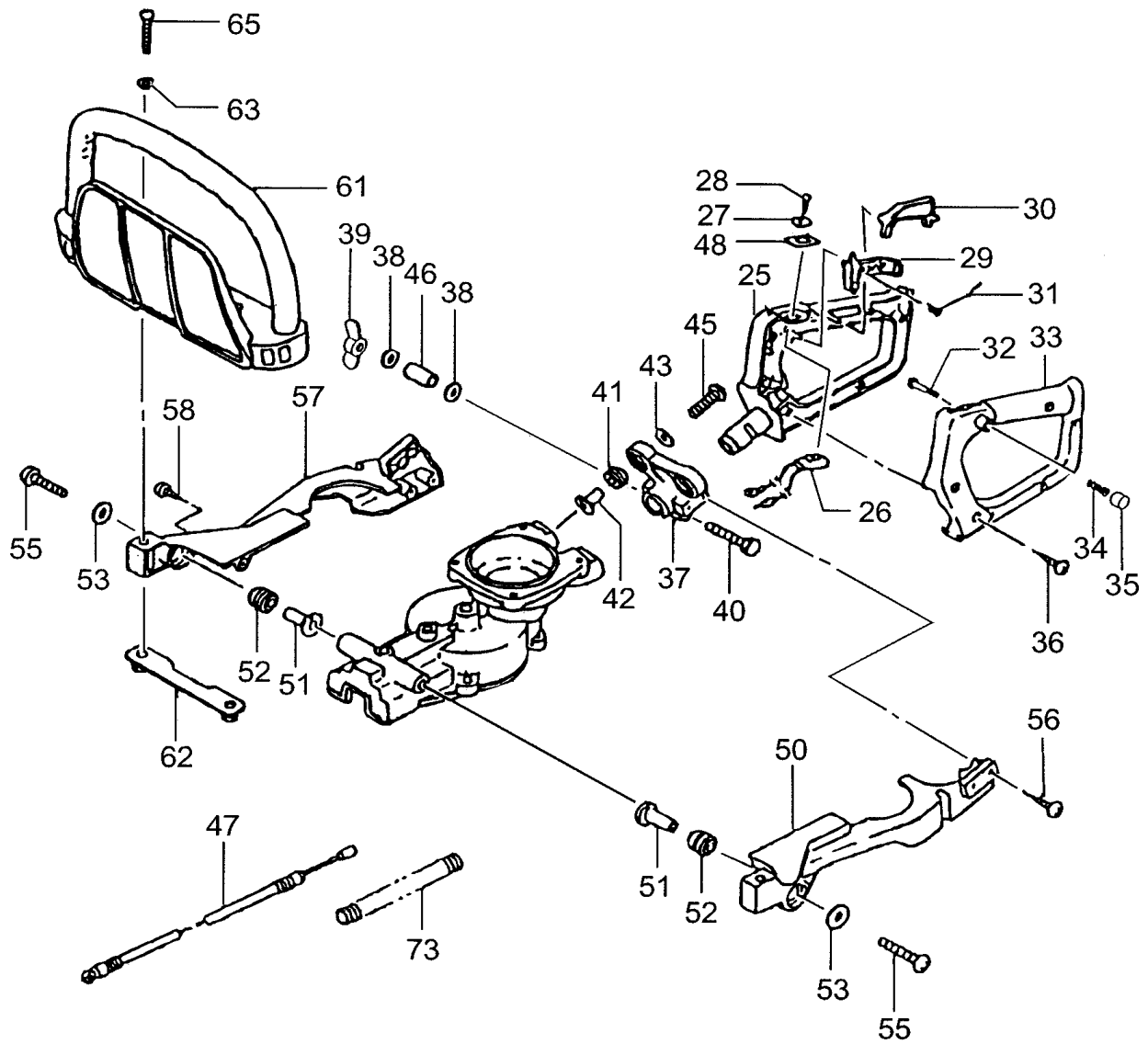
ITEM	PART NUMBER	DESCRIPTION	QTY	COMMENTS
5-0	45525145900	CARBURETOR, ASS'Y	1	~R233951
5-1	54825140200	SCREW, THROTTLE SET	2	
5-5	53925120200	SWIVEL	1	
5-7	48925100200	RING, STOP	1	
5-8	48825145800	VALVE, THROTTLE	1	
5-10	55025100200	O-RING	1	
5-11	5992000W410	JET, MAIN, #41	1	
5-13	~ ~ ~	GASKET, PUMP	1	~ Not available individually
5-14	~ ~ ~	DIAPHRAGM, PUMP	1	Order #650.25140.900 Carb Kit
5-15	52325100201	PLATE, PUMP	1	
5-16	52225100200	PLATE, CIRCUIT	1	
5-17	57825007200	SCREEN, INLET	1	
5-18	57525140800	BODY, PUMP	1	
5-19	~ ~ ~	GASKET, DIAPHRAGM	1	
5-20	~ ~ ~	DIAPHRAGM, METERING	1	
5-21	47625004200	COVER, DIAPHRAGM	1	
5-22	54825101200	SCREW, SET	4	



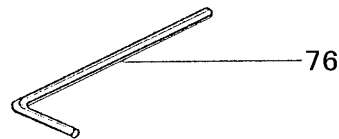
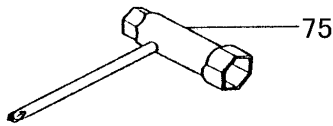
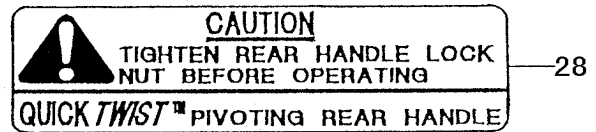
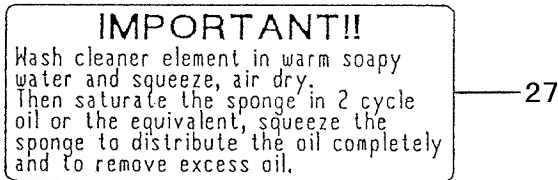
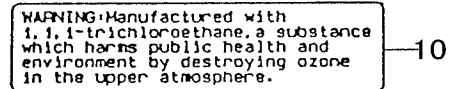
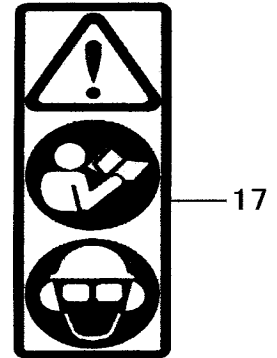
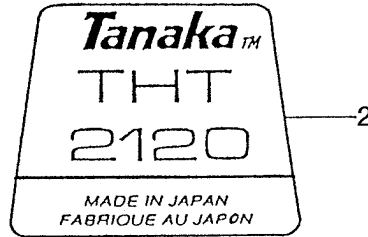
ITEM	PART NUMBER	DESCRIPTION	QTY	COMMENTS
6-0	455-06500-90	CARBURETOR, ASSY	1	R233952~U217438
6-0	455-0651A-90	CARBURETOR, ASSY	1	U217439~
6-1	54825140200	SCREW, THROTTLE SET	2	
6-5	53925120200	SWIVEL	1	
6-7	48925100200	RING, STOP	1	
6-10	55025100200	O-RING	1	
6-11	5992001W35	JET, MAIN, #35	1	~U217438
6-11	599200BW34	JET, MAIN, LONG, #34.5	1	U217439~
6-13	~ ~ ~	GASKET, PUMP	1	~ Not available individually
6-14	~ ~ ~	DIAPHRAGM, PUMP	1	Order #650.25140.900 Carb Kit
6-17	57825007200	SCREEN, INLET	1	
6-18	5752518280	BODY, PUMP	1	~U217438
6-18	5752514780	BODY, PUMP ASS'Y	1	U217439~
6-19	~ ~ ~	GASKET, DIAPHRAGM	1	
6-19	~ ~ ~	GASKET, DIAPHRAGM	1	
6-20	~ ~ ~	DIAPHRAGM, METERING	1	
6-21	47625004200	COVER, DIAPHRAGM	1	
6-22	54825101200	SCREW, SET	4	



ITEM	PART NUMBER	DESCRIPTION	QTY	COMMENTS
7-1	3003316081	CASE,GEAR	1	
7-2	99350015002	RING,STOP,C-15 EX	1	
7-3	99961600200	BEARING,BALL,#6002	1	
7-4	99961600202	BEARING,BALL,#6002Z	1	
7-5	2883318080	DRUM,CLUTCH	1	
7-6	30533160200	SHAFT,GEAR	1	
7-7	07533160200	PLATE,GUIDE	1	
7-8	1013316022	ROD,CAM	2	
7-9	3073318020	GEAR,2	1	
7-10	30333160200	GASKET,GEARCASE	1	
7-11	6303316020	COVER,GEAR CASE	1	
7-12	1223316821	GUIDE,CUTTER	1	~A302050
7-12	1223324820	GUIDE,CUTTER	1	A302051~
7-13	1363316020	PLATE,PROTECTION	1	T092851~
7-14	99052060165	BOLT,HEX,6X16	2	
7-15	CB-22A	BLADE,A,DS,26"	2	
7-16	08533160200	SEAL,GREASE A	2	
7-17	12933202201	WASHER,7	5	
7-18	1243320221	BOLT,CUTTER FIXING,A	5	~A302050
7-18	1243228720	BOLT,FIXING,A	5	A302051~
7-19	1233317A20	NUT,CUTTER FIXING	5	~A302050
7-19	40927	NUT,FLANGE,6	5	A302051~
7-21	99461040104	BOLT,HEX,4X10,S	8	
7-22	30032250801	FITTING,GREASE	1	
7-23	99051060143	BOLT,HEX,6X14	2	
7-67	19805015800	CLAMP,CORD	1	
7-69	1383316520	COVER,CUTTER,26"	1	~T092850
7-69	1383317120	COVER,CUTTER,26"	1	T092851~
7-71	99210060012	WASHER,S,6	2	
7-72	99440060011	NUT,SPRING 6	2	
7-81	99201060011	WASHER,6	3	T092851~



ITEM	PART NUMBER	DESCRIPTION	QTY	COMMENTS
8-25	05033160200	HANDLE,A	1	
8-26	17033160800	SWITCH,STOP	1	
8-27	2581165020	BUTTON,STOP	1	
8-28	99011030101	SCREW,3X10	1	
8-29	23033160200	LEVER,THROTTLE	1	
8-30	23133160200	LEVER,SAFETY	1	
8-31	23233160200	SPRING,THROTTLE LEVER	1	
8-32	06432530200	PIN,PUSH	1	~R233951
8-33	05133160200	HANDLE,B	1	
8-34	06632300201	SPRING,STOPPER	1	~R233951
8-35	72532600202	CAP,PUSH PIN	1	~R233951
8-35	7653212020	CAP	1	R233952~
8-36	99072045164	SCREW,TAPPING,4.5X16	6	
8-37	05833160200	BRACKET,HANDLE	1	
8-38	99200060011	WASHER,SMALL,6	2	
8-39	99161060012	NUT,WING,6	1	
8-40	99021060551	BOLT,6X55 HEX	1	~Q005150
8-40	99021060501	BOLT,6X50	1	Q005151~
8-41	26632750200	DAMPER,B	2	
8-42	27632710201	COLLAR,DAMPER B	2	
8-43	36832057200	WASHER,BRAKE SHAFT	2	
8-45	99414050301	SCREW,5X30/S	2	
8-46	29433160200	COLLAR	1	~Q005150
8-46	2943316021	COLLAR 16	1	Q005151~
8-47	88506500800	WIRE,THROTTLE	1	
8-48	92533160200	DECAL,STOP BUTTON	1	
8-50	2493316020	BODY,CLAMP A	1	
8-51	27632710201	COLLAR,DAMPER B	2	
8-52	26632750200	DAMPER,B	2	
8-53	36832057200	WASHER,BRAKE SHAFT	2	
8-55	99414050301	SCREW,5X30/S	2	
8-56	99073045124	SCREW,TAPPING,4.5X12	2	
8-57	2503316020	BODY,CLAMP,B	1	
8-58	99073045124	SCREW,TAPPING,4.5X12	3	
8-61	2103316021	HANDLE	1	
8-62	0403316080	SUPPORT,HANDLE	1	
8-63	99201050011	WASHER,5	2	
8-65	99414050401	SCREW,5X40/S	2	
8-73	16407007000	TUBE,PROTECTION,7X700	1	



ITEM	PART NUMBER	DESCRIPTION	QTY	COMMENTS
9-1	95037900200	DECAL,PRO-FORCE A	1	
9-2	9060650021	DECAL,THT-2120	1	
9-5	95137900200	DECAL,PRO-FORCE	1	
9-8	91106500200	DECAL,SRS	1	
9-10	9200650A20	DECAL,WARNING	1	~R003554
9-17	9203246620	DECAL,CAUTION	1	R003555~
9-27	9083316021	DECAL,CAUTION	1	
9-28	91933160200	DECAL	1	
9-75	03629331501	SPANNER,COMBI	1	
9-76	81320000200	WRENCH,HEX,4	1	

Date: June 2001

Model & Serial: THT-2100/THT-2120/THT-2510/THT-2520/THT-2540/HTD-2522PF/HTD-2526PF/HTD-2530PF/HTS-2530PF.

All units produced after serial number W100101.

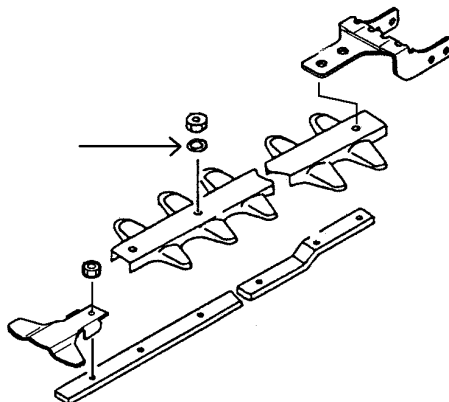
Reason: When these units are fitted with the aluminum safety shield, some experience loosening of the blade jam nuts. A flat washer has been added between the nut and the aluminum shield to help prevent the nut from becoming loose.

Models THT-2100, 2120, 2510 and HTD-2526PF, 2522PF require 3 washers.

Models THT-2520, 2540 and HTS-2530PF and HTD-2530PF require 2 washers

Part Number Changes:

Old Part #	New Part #	Description	Remarks
992-01060-011		Washer	



Date: January, 2002

Model & Serial: All THT, HTD, HTS, TPH hedgetrimmer models.

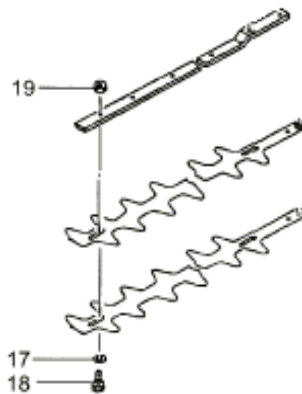
All units after serial number Y004401

Reason: All future production of hedgetrimmer models will utilize a blade-retaining nut that is of the locking variety. These nuts are oblong on one side to prevent loosening during use, but can be removed and re-installed without losing their locking ability.

When adjusting blade-fastening hardware, thread the bolt (18) through the blades and guide bar from the bottom, to a point where the flat washer (17), is still able to rotate, (usually to seat, and then backed off between ¼ and ½ revolution). Then install the lock nuts on the topside, tightening them while holding the bolt in place. Tighten all nuts, and then re-check for adjustment prior to operation. A lubricating agent, such as WD-40 should also be used to prevent sap build-up and premature wear.

Part Number Changes:

Old Part #	New Part #	Description	Remarks
123-33202-200	123-3317A-20	Lock Nut	Reference #19



Date: December 2004

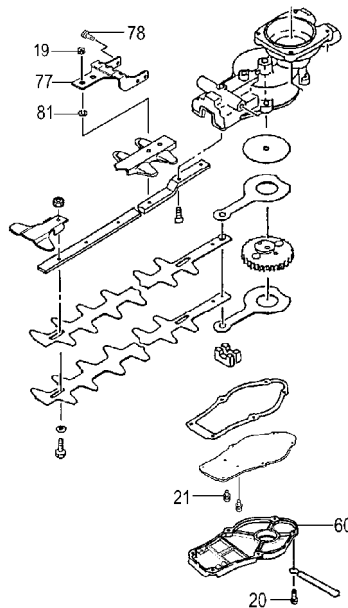
Model & Serial: THT-2120 / HTD-2526PF / HTD-2522PF

All Units

Reason: We have received field reports of hedge trimmer cutter guide bar breaking under certain conditions and have developed a solution to reduce the likelihood of this reoccurring.

Part Number Changes: THT / HTD

Reference	New parts #	Description
	462-33191-90	Support plate assy
# 20	994-61040-124	* Hex hole bolt 4x12S (6 pcs)
# 60	301-33191-21	* Gear case B
# 77	462-33191-20	* Support plate
# 78	994-61040-104	* Hex hole bolt 4x10S (4 pcs)
# 81	871-32600-200	* Special washer B



Date: December 2004

Model & Serial: **TPH-210/2501/250PF270PF – A290201 and later.**
HTD-2522PF/2526PF/2530PF, HTS-2530PF/2540PF – A302051 and later.
THT-2120/2520/2540 – A302051 and later.

Reason: Configuration standardization of hardware, converting blade hardware from US Standard thread to Metric thread.

Comments: Please verify serial number on unit prior to ordering replacement blade hardware and add the support plate on older serial numbers.

Part Number Changes:

Description	Old parts #	New parts #	Comments
	For TPH-210/2501/250PF/270PF		
Cutter guide 625.5L M6	122-32287-21	122-32286-21	
Cutter fixing bolt A	124-33202-21	124-32287-20	4 to 1 pc
Cutter fixing bolt B		125-32287-20	3 pcs
Flange nut M6	123-3317A-20	991-82060-001	4 pcs
	For HTD-2522PF		
Cutter guide 625.5L M6	122-33160-21	122-33178-20	
Cutter fixing bolt A	124-33202-21	124-32287-20	
Flange nut M6	123-3317A-20	991-82060-001	
Protection plate 390L	136-33160-20		
Washer 6	992-01060-011		3 pcs
	For THT-2120/HTD-2526PF		
Cutter guide 734L M6	122-33168-21	122-33248-20	
Cutter fixing bolt A	124-33202-21	124-32287-20	
Flange nut M6	123-3317A-20	991-82060-001	
Protection plate 390L	136-33160-20		
Washer 6	992-01060-011		3 pcs
	For HTS-2530PF		
Cutter guide 830L M6	122-33187-20	122-33285-20	
Cutter fixing bolt A	124-33202-21	124-32287-20	
Flange nut M6	123-3317A-20	991-82060-001	
Protection plate 585L	136-33181-20		
Washer 6	992-01060-011	3 to 1 pc	
	For THT-2520/HTD-2530PF		
Cutter guide 845.5L M6	122-33190-21	122-33191-20	
Cutter fixing bolt A	124-33202-21	124-32287-20	
Flange nut M6	123-3317A-20	991-82060-001	
protection plate 380L	136-33190-20		
Washer 6	992-01060-011		2 pcs
	For THT-2540/HTS-2540PF		
Cutter guide 1105L M6	122-33185-20		
Cutter fixing bolt A	124-33202-21	124-32287-20	
Flange nut M6	123-3317A-20	991-82060-001	
Protection plate 585L	136-33181-20		
Washer 6	992-01060-011	3 to 1 pc	